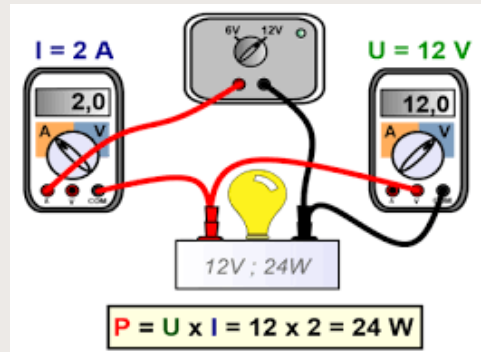




6. $P = U \times I$

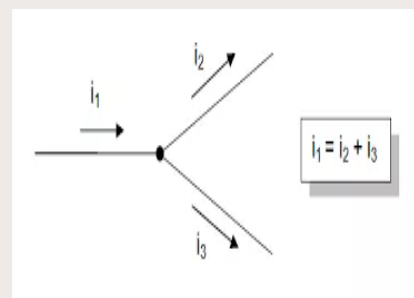


Power is expressed in watts. It indicates the energy supplied in 1 second by the electrical circuit.

FORMULE



5. $I_1 = I_2 + I_3$



Kirchhoff's current law : the intensities add.

FORMULE