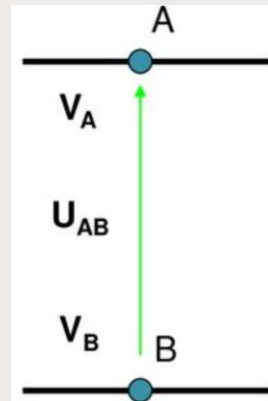




$$3. U_{AB} = V_A - V_B$$

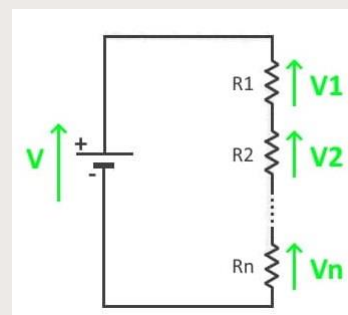


The voltage is the potential difference between two points.

FORMULE



$$4. V = V_1 + V_2 + \dots + V_n$$



Kirchhoff's voltage law :
When the photovoltaic panels are connected in series, the voltages add.

FORMULE