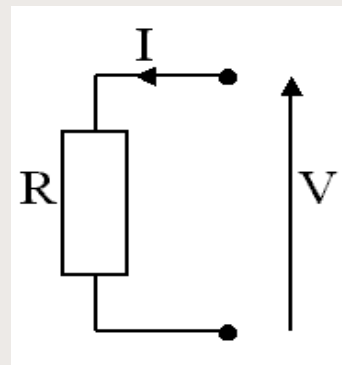




$$1. U = R \times I$$



The Ohm law : the voltage is directly proportional to the current intensity.

FORMULE

$$2. W = P \times t$$



Energy : Electricity is the electrical power consumed over a period of time (unity Wh)

FORMULE