

The wind towers

**Edited by Jasmine Fiorita and Maria
Francesca Bianchi**

Dubai

Dubai (probably meaning "lizard" or "little locust") is the capital of one of the seven emirates that make up the United Arab Emirates. It is located south of the Persian Gulf in the Arabian Peninsula. The emirate of Dubai borders Abu Dhabi to the south, Sharjah to the northeast and the Persian Gulf along its entire west coast.



Abu Dhabi

Abu Dhabi is the capital and the second-most populous city of the United Arab Emirates (after Dubai). The city of Abu Dhabi is located on an island in the Persian Gulf, off the Central West Coast. Most of the city and the Emirate reside on the mainland connected to the rest of the country. As of 2020, Abu Dhabi's urban area had an estimated population of 1.48 million, out of 2.9 million in the emirate of Abu Dhabi, as of 2016.



The wind towers

The wind towers are ancient natural air conditioning systems that exploit the air currents to convey them into the buildings.



The wind towers

The towers, with thick walls and high between 8 and 15 meters, are open on all four sides and are able to capture the breezes, especially at night.



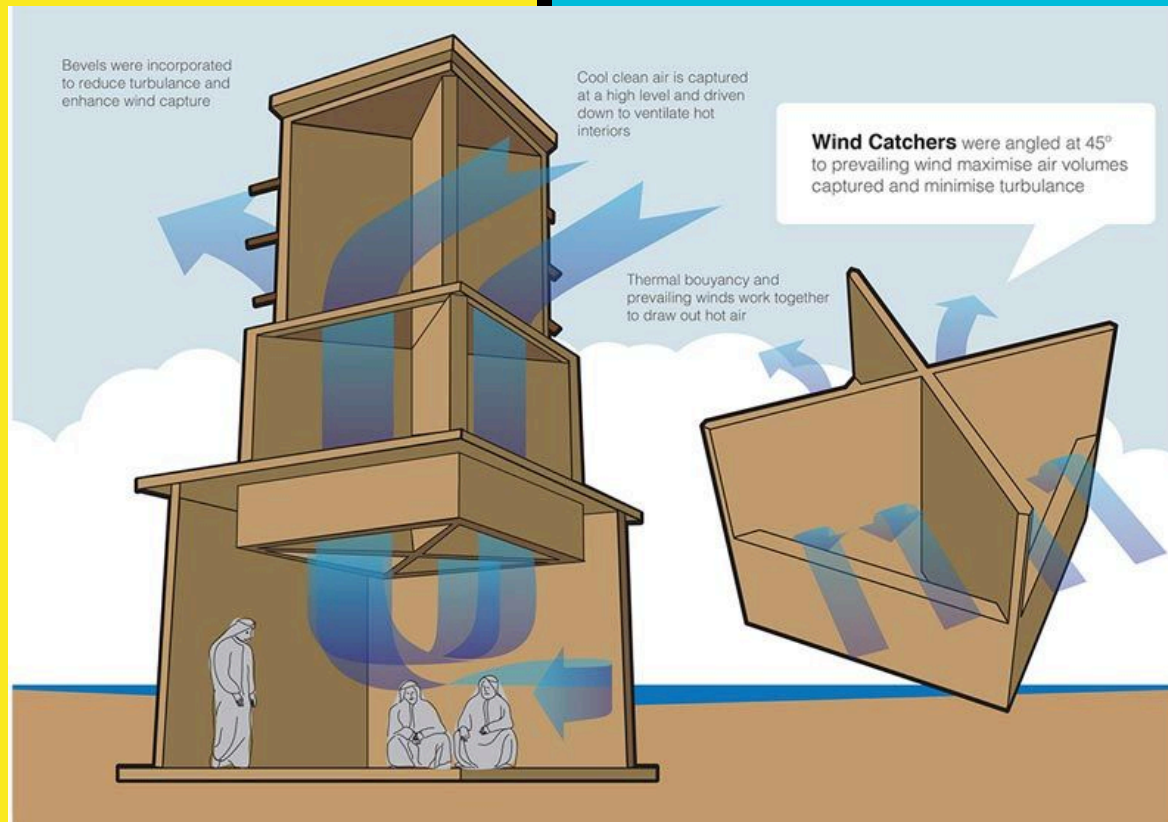
The wind towers

Despite the typical hot climate, the fresh air enters and disperses the warm one trapped inside.

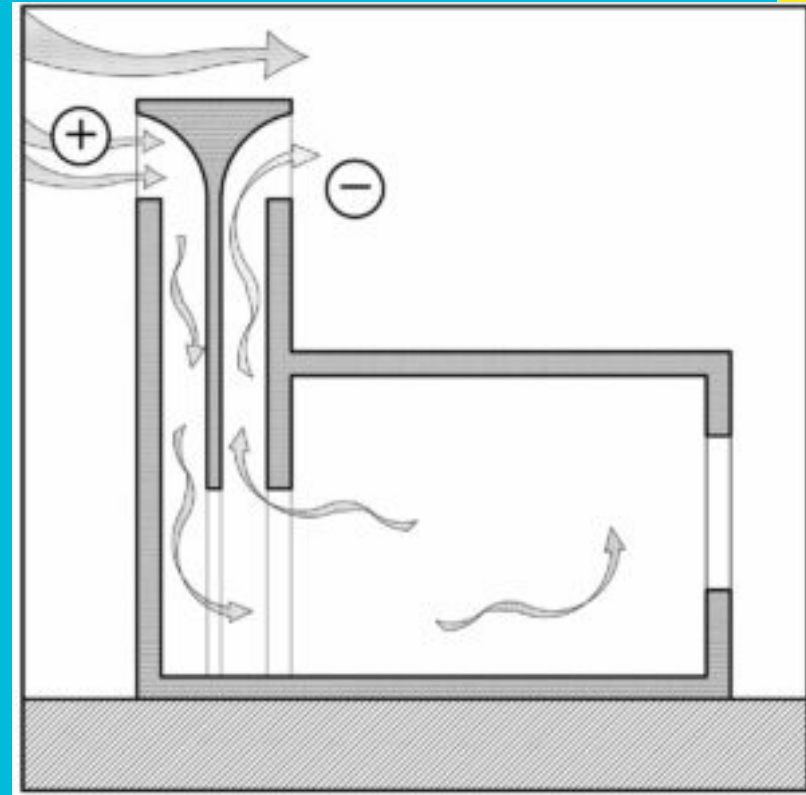
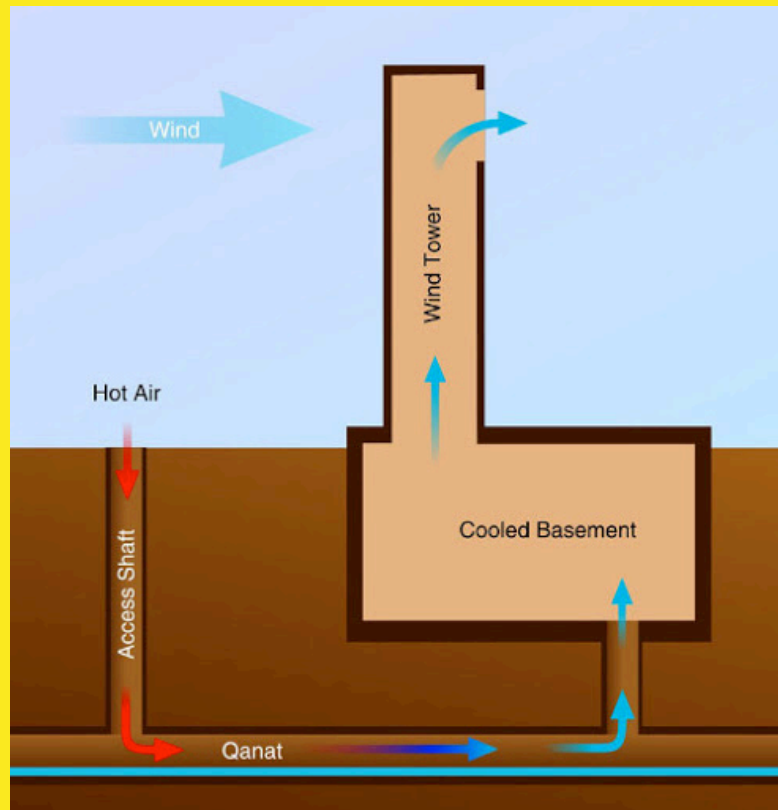
Alongside the large shopping centers and hotels now equipped with air conditioning, this ancient system, with zero environmental impact, still continues to operate.



The wind towers



The construction



Al Bastakiya: the ancient Dubai of the wind towers



Sitografia/bibliografia

https://www.google.com/imgres?imgurl=https%3A%2F%2Fmedia.istockphoto.com%2Fphotos%2Fdubai-old-town-bastakiya-district-wind-tower-picture-id874046592&imgrefurl=https%3A%2F%2Fwww.istockphoto.com%2Fit%2Ffoto%2Fdubai-old-town-bastakiya-district-wind-tower-gm874046592-244069786&tbnid=M0AZS1_n_D-I0M&vet=12ahUKEwi80Jzeq_TvAhWaOuwKHU8pDHoQMygoegUIARCXAq..i&docid=4cjWY9ZMuGtYjM&w=678&h=1024&itg=1&q=the%20wind%20tower%20dubai&ved=2ahUKEwi80Jzeq_TvAhWaOuwKHU8pDHoQMygoegUIARCXAq

<https://www.google.com/imgres?imgurl=https%3A%2F%2Fc8.alamy.com%2Fcompit%2Fd6k0gy%2Ftradizionale-architettura-storica-con-torri-del-vento-in-al-bastakiya-storico-quartiere-di-bur-dubai-emirati-arabi-uniti-d6k0gy.jpg&imgrefurl=https%3A%2F%2Fwww.alamy.it%2Ffoto-immagine-tradizionale-architettura-storica-con-torri-del-vento-in-al-bastakiya-storico-quartiere-di-bur-dubai-emirati-arabi-uniti-55736603.html&tbnid=LV2Q9hOE3wVwKM&vet=12ahUKEwjW3qPGrfTvAhXa57sIHVEsAX4QMygCegUIARDRAQ..i&docid=NoFUL6c0WIOcGM&w=866&h=1390&q=torri%20del%20vento%20alamy&ved=2ahUKEwjW3qPGrfTvAhXa57sIHVEsAX4QMygCegUIARDRAQ>

https://www.google.com/imgres?imgurl=https%3A%2F%2Ft1.pixers.pics%2Fimg-c676e9e9%2Fposter-torri-del-vento-a-dubai-emirati-arabi-uniti.jpg%3FH4sIAAAAAAAAAA42PWW7EIAxAr5NIMDZbgBxgfuclEQEyTZsFQdqOevqStupfpcofXmQ_68HrVtwUwcfiBnW OYQlWjQvtSt9jmX-iA0SYVXb1-nSIGLb728x-7ynhgpGKBOcdNwSxU3bv7t6ubr80jwdRyo9QBGXND8qriZfwK8FODINaEBZ43wcg7bM8SHRcrgtuByoRqof Ci9puxM84_9gAwxBjYGN3WgCytEMnGOF0V_CF1aiJIKbE_2jqRGJPvWOPK9N9d3r9tE8p3sLf_z8rqFewfUGohopkAw6e46G600YpSTr7BCCmiT3wU-

Sitografia/bibliografia

[https://www.google.com/imgres?
imgurl=https%3A%2F%2Fi.pinimg.com%2Foriginals%2Fb9%2F28%2F0a%2Fb9280a2a321314887a4b93d6c3c47976.jpg&imgrefurl=https%3A%2F%2Fwww.pinterest.cl%2Fpin%2F322922235781135088%2F&tbnid=vy5OgedBTkpZpM&vet=12ahUKEwiYyZ_eqvTvAhVRy6QKHVEIAHEQMygvegUIARCnAg..i&docid=z32ioOz24eJhyM&w=800&h=557&itg=1&q=torri%20del%20vento%20dubai&ved=2ahUKEwiYyZ_eqvTvAhVRy6QKHVEIAHEQMygvegUIARCnAg](https://www.google.com/imgres?imgurl=https%3A%2F%2Fi.pinimg.com%2Foriginals%2Fb9%2F28%2F0a%2Fb9280a2a321314887a4b93d6c3c47976.jpg&imgrefurl=https%3A%2F%2Fwww.pinterest.cl%2Fpin%2F322922235781135088%2F&tbnid=vy5OgedBTkpZpM&vet=12ahUKEwiYyZ_eqvTvAhVRy6QKHVEIAHEQMygvegUIARCnAg..i&docid=z32ioOz24eJhyM&w=800&h=557&itg=1&q=torri%20del%20vento%20dubai&ved=2ahUKEwiYyZ_eqvTvAhVRy6QKHVEIAHEQMygvegUIARCnAg)

[https://www.google.com/imgres?
imgurl=https%3A%2F%2Fupload.wikimedia.org%2Fwikipedia%2Fcommons%2Fthumb%2F5%2F52%2FQanat_wind_tower.svg%2F220px-Qanat_wind_tower.svg.png&imgrefurl=https%3A%2F%2Fit.wikipedia.org%2Fwiki%2FShabestan&tbnid=BGjcxL1n5zeDM&vet=12ahUKEwiYyZ_eqvTvAhVRy6QKHVEIAHEQMygQegUIARDfAQ..i&docid=fM9qRiUM7XHf9M&w=220&h=233&q=torri%20del%20vento%20dubai&ved=2ahUKEwiYyZ_eqvTvAhVRy6QKHVEIAHEQMygQegUIARDfAQ](https://www.google.com/imgres?imgurl=https%3A%2F%2Fupload.wikimedia.org%2Fwikipedia%2Fcommons%2Fthumb%2F5%2F52%2FQanat_wind_tower.svg%2F220px-Qanat_wind_tower.svg.png&imgrefurl=https%3A%2F%2Fit.wikipedia.org%2Fwiki%2FShabestan&tbnid=BGjcxL1n5zeDM&vet=12ahUKEwiYyZ_eqvTvAhVRy6QKHVEIAHEQMygQegUIARDfAQ..i&docid=fM9qRiUM7XHf9M&w=220&h=233&q=torri%20del%20vento%20dubai&ved=2ahUKEwiYyZ_eqvTvAhVRy6QKHVEIAHEQMygQegUIARDfAQ)

https://www.google.com/imgres?imgurl=https%3A%2F%2Fpreviews.123rf.com%2Fimages%2Fmarlene1958%2Fmarlene19580706%2Fmarlene1958070600002%2F1050354-questo-%25C3%25A8-il-bello-jumeriah-souk-a-dubai-gallerie-del-vento-sulla-sommit%25C3%25A0-dell-edificio-sono-un-ant.jpg&imgrefurl=https%3A%2F%2Fit.123rf.com%2Fphoto_1050354_questo-%25C3%25A8-il-bello-jumeriah-souk-a-dubai-gallerie-del-vento-sulla-sommit%25C3%25A0-dell-edificio-sono-un-ant.html&tbnid=A-S6gl0BqBOddM&vet=12ahUKEwj_sueLsfTvAhWEyqQKHb2NDt0QMyg5egQIARBM..i&docid=hSmsTdjWW9mraM&w=1300&h=973&itg=1&q=torri%20del%20vento%20dubai&ved=2ahUKEwj_sueLsfTvAhWEyqQKHb2NDt0QMyg5egQIARBM

Sitografia/bibliografia

https://www.google.com/imgres?imgurl=https%3A%2F%2Fwww.respiroitalia.org%2Fwp-content%2Fuploads%2F2017%2F10%2Fschema_torre_vento-300x298.jpg&imgrefurl=https%3A%2F%2Fwww.respiroitalia.org%2F2017%2F10%2F02%2Fle-torri-del-vento-badghir-persiano-architettura-soluzione-naturale-problema-della-climatizzazione-degli-ambienti%2F&tbnid=hBvF40jBb6JnmM&vet=12ahUKEwjI96zKrPTvAhXyxrsIHT8SCrIQMygFegUIARC5AQ..i&docid=CW9XJIDw6iQ1nM&w=300&h=298&q=le%20torri%20del%20vento%20schema&ved=2ahUKEwjI96zKrPTvAhXyxrsIHT8SCrIQMygFegUIARC5AQ

https://www.google.com/imgres?imgurl=https%3A%2F%2Fvividubai.it%2Fimages%2Fvividubai%2FAI-Bastakiya%2FBastakhia-Esterno.jpg&imgrefurl=https%3A%2F%2Fvividubai.it%2Fzone-da-visitare%2Fal-bastakiya-antica-dubai-storica-torri-del-vento.html&tbnid=XbWWzVXkyL5XIM&vet=12ahUKEwiYyZ_eqvTvAhVRy6QKHVEIAHEQMygDegUIARC9AQ..i&docid=BaDdPyl9EdrhOM&w=1024&h=680&q=torri%20del%20vento%20dubai&ved=2ahUKEwiYyZ_eqvTvAhVRy6QKHVEIAHEQMygDegUIARC9AQ