

**1. Draw a line - command: Line**

- a. Choose command: Line
- b. Clicking on the desktop
- c. Enter in the command line: @ 90, 0 / Enter/
- d. Enter in the command line: @ 0, 90/ Enter/
- e. ESC

**2. Draw a Circle 1 – command: Circle**

- a. Choose command: Circle
- b. choose center of the circle
- c. Enter in the command line: d /Enter/
- d. Enter in the command line: 140 /enter/

**3. Draw a Circle 2 – command: Circle**

- a. Choose command: Circle
- b. choose center of the circle
- c. Enter in the command line: d /Enter/
- d. Enter in the command line: 160 /enter/

**4. Draw a Circle 3 – command: Circle**

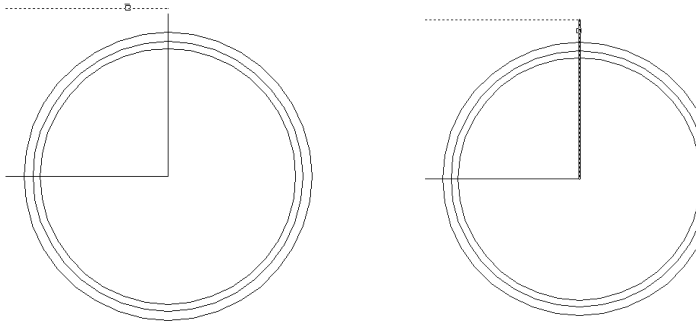
- a. Choose command: Circle
- b. Choose center of the circle
- c. Enter in the command line: d /Enter/
- d. We enter the command line: 176 /enter/

**5. Copy of parallel objects - Command: offset**

- a. We enter the command line: 103 / Enter/
- b. Tag the horizontal line and click over it

**6. Extension to a specific line - Command: Extend**

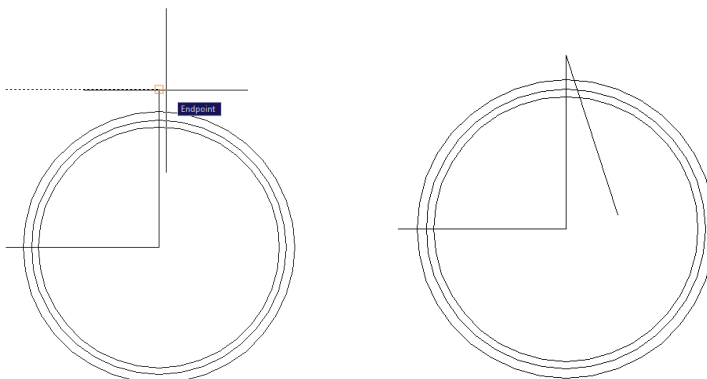
- a. Tag line to which you will prolong / Enter/



- b. Indicate a proximal end of the line, which will prolong / vertical line / and / Enter/
- c. ESC

**7. Rotate objects - Command: Rotate**

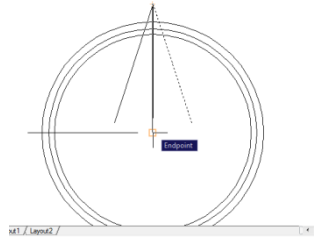
- a. Highlight the topline / Enter/
- b. choose center of rotation



- c. Entering value of the angle of rotation: 105 / Enter/

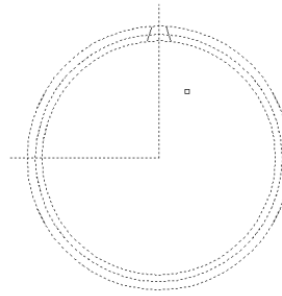
8. Setting the mirror image - **Command: Mirror**

- a. Mark the rotated line / Enter/
- b. Mark two points on the vertical line to which we will do mirror image / Enter/



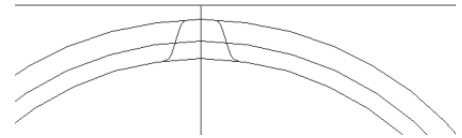
9. Delete part of an object - **Command: Trim**

- a. Mark all with mouse / Enter/
- b. Click on unnecessary parts
- c. ESC



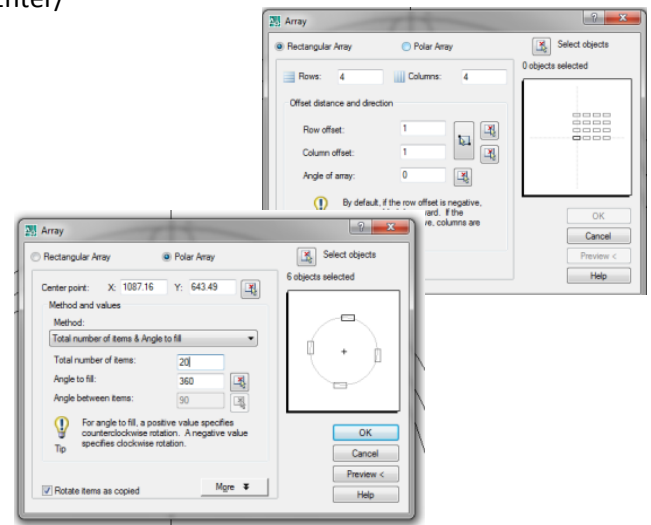
10. Drawing on the roundings - **Command: Fillet**

- a. Enter in the command line: R / Enter/
- b. Enter in the command line: 2 / Enter/
- c. Mark the lines between which you are rounding / Enter/
- d. Mark the lines between which you are rounding / Enter/
- e. Mark the lines between which you are rounding / Enter/
- f. Mark the lines between which you are rounding / Enter/



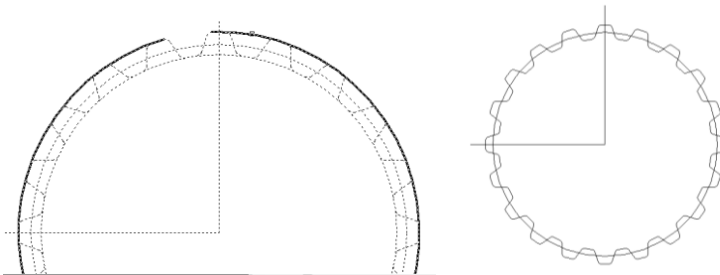
11. Multiple copying objects - **Command: Array**

- a. Click on polar array
- b. Choose Select object
- c. Select only the cog / without circles / and / Enter /
- d. point the center of the circles with the icon Pick center point
- e. Enter in Total .....: 20
- f. OK



12. Delete part of an object - **Command: Trim**

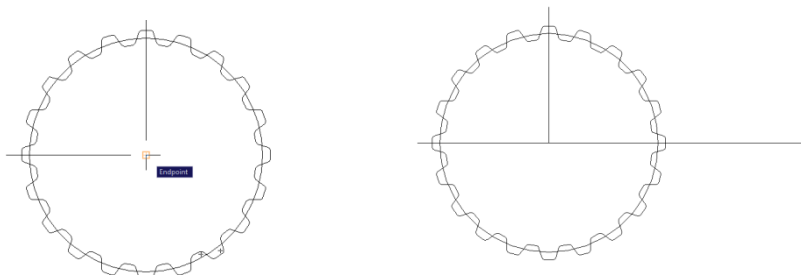
- a. Mark all with mouse / Enter/
- b. Click on everything that needs to be erased



- c. ESC

13. Draw a line without asking coordinates / second projection / - **Command: Line**

- a. Point center and endpoint / ORTHO mode on or key Shift /



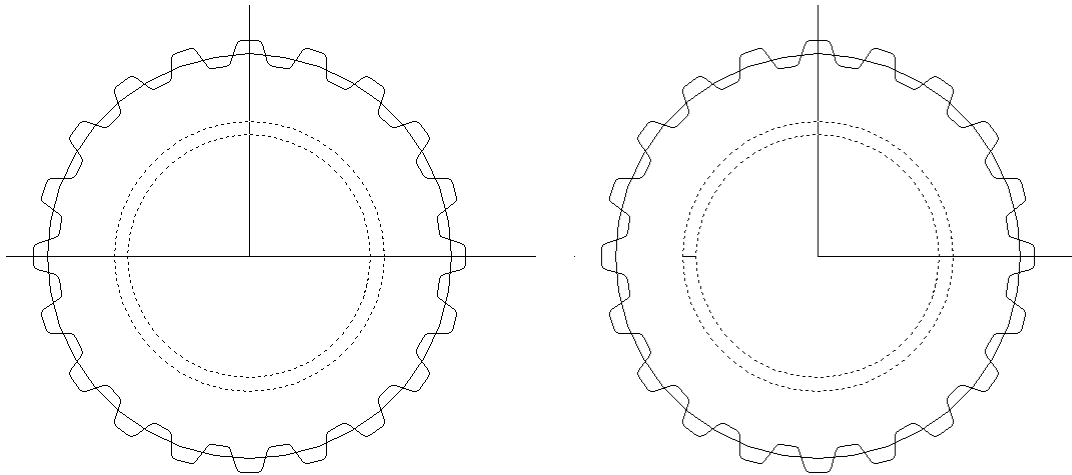
- b. ESC

**14. Draw a Circle – command: Circle**

- a. Choose command: Circle
- b. choose center of the circle
- c. Enter in the command line: d /Enter/
- d. Enter in the command line: 90 / Enter/
- e. Choose command: Circle
- f. choose center of the circle
- g. Enter in the command line: d /Enter/
- h. Enter in the command line: 100 / Enter/

**15. Delete part of an object - Command: Trim**

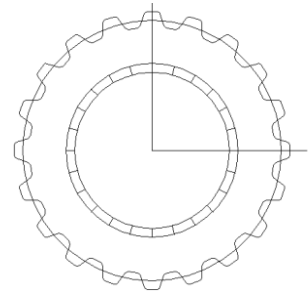
- a. Mark two inner circles with a diameter of 90 and 100 / Enter /



- b. Click on the components that are to be deleted
- c. ESC

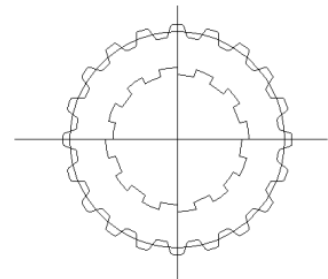
**16. Multiple copying objects / small line/ - Command: Array**

- a. Click on polar array
- b. Choose Select object
- c. Mark the line between two circles / Enter/
- d. Choose the center of the circles icon Pick center point
- e. Enter in Total .....: 24
- f. OK



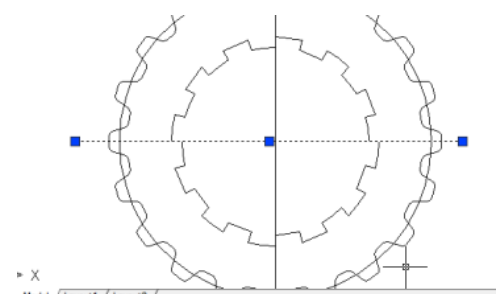
**17. Delete part of an object - Command: Trim**

- a. Mark all with mouse / Enter/
- b. Click on everything that needs to be erased
- c. ESC



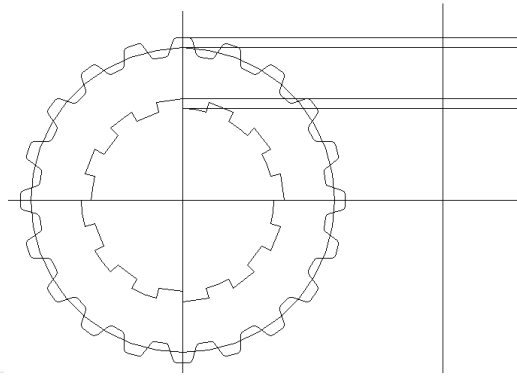
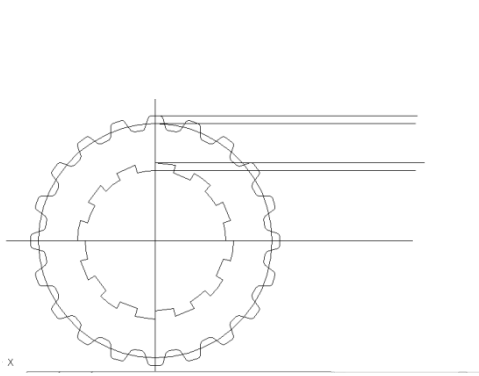
**18. Extension of the axial line without asking coordinates**

- a. Mark all lines, pick a single point and then drag to extend
- b. ESC



**19. Draw a line without asking coordinates - Command: Line**

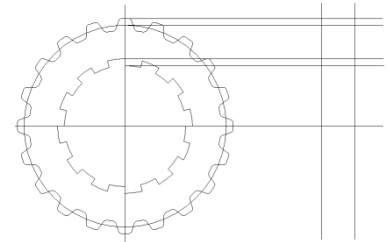
- a. Draw four horizontal lines of intersection



- b. Draw one vertical line

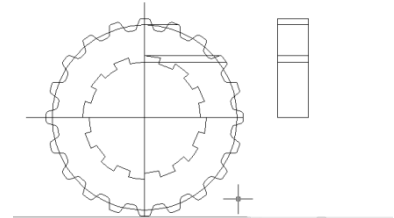
**20. Copy of parallel objects - Command: Offset**

- a. Enter in the command line: 25 / Enter/
- b. Choose the vertical line and then click to the right of it / Enter/

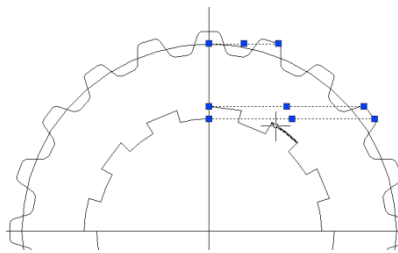


**21. Delete part of an object - Command: Trim**

- a. Mark all with mouse / Enter/
- b. Click on everything that needs to be erased
- c. ESC

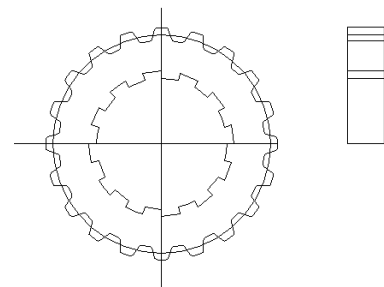


**22. Delete the entire site - Mark unnecessary lines and press the delete key**



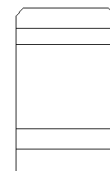
**23. parallel copying objects - Command: Offset**

- a. Enter in the command line: 70 / Enter/
- b. Mark the line and click over it
- c. ESC



**24. Drawing bevel angles - Command: Chamfer**

- a. Enter in the command line: D / Enter/
- b. Enter in the command line: 2 / Enter/
- c. Enter in the command line: D / Enter/
- d. Enter in the command line: 2 / Enter/
- e. Mark two lines bevel angle / Enter/
- f. Mark the other two lines bevel angle / Enter/
- g. ESC



**25. Set the mirror image - Command: Mirror**

- a. Mark the new projection / Enter/
- b. Mark two points on the lower horizontal line to which we will be doing mirror image / Enter/

